

MODEL DVP25-526

25 HP P.D. INDUSTRIAL VACUUM

LARGE, EASY ACCESS
FILTER SERVICE DOOR

HIGH EFFICIENCY
FILTRATION

INLINE FILTER WITH
CONDITION INDICATOR

VACUUM RELIEF
VALVES

INTERNAL MANUAL
FILTER BAG SHAKER

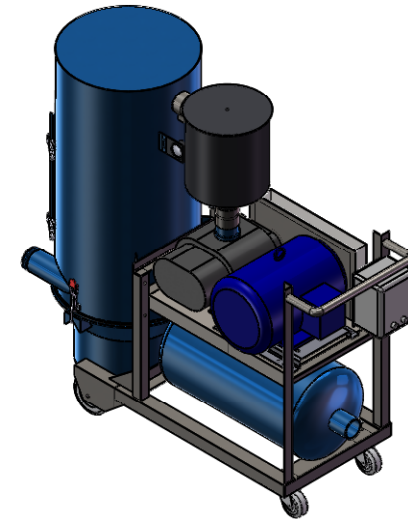
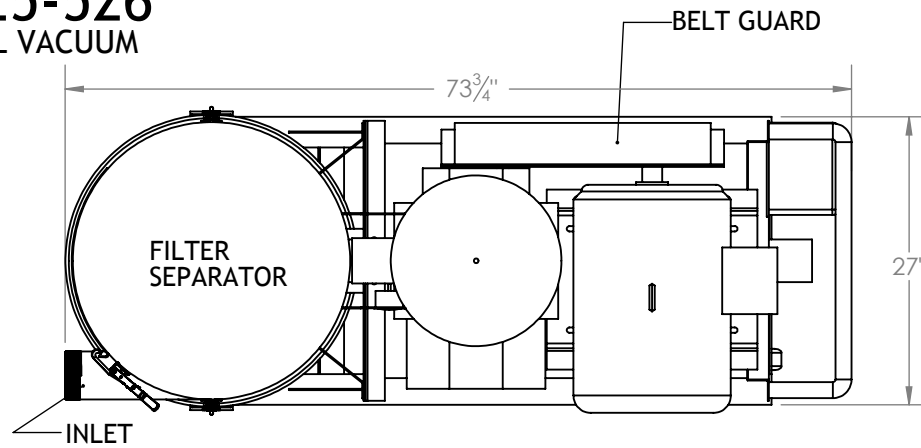
FOURTEEN 5"X41"L
FILTER BAGS WITH
61.6 SQ FT FILTER AREA

HEAVY DUTY
MECHANICAL LIFTER

4" NPT INLET WITH
INTERNAL WEAR STRIP

27.0 US GAL
STORAGE DRUM

8" BALL BEARING
WHEELS



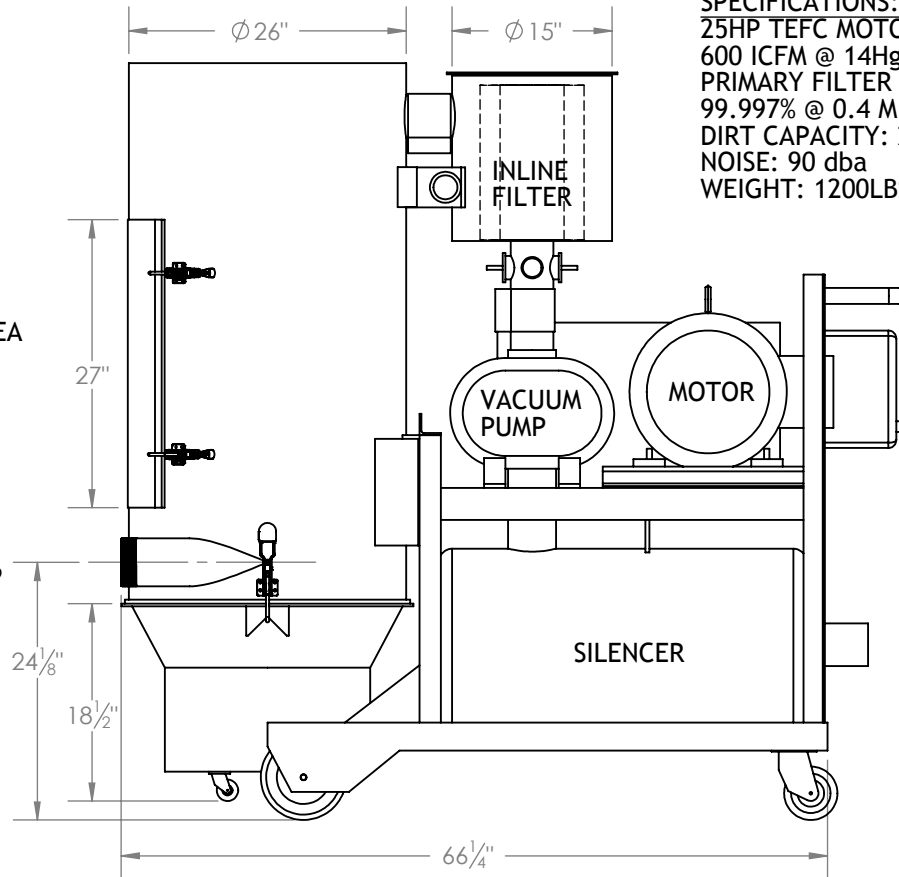
INTERNAL MANUAL
FILTER BAG SHAKER

HEAVY DUTY
MECHANICAL LIFTER

4" NPT INLET WITH
INTERNAL WEAR STRIP

27.0 US GAL
STORAGE DRUM

8" BALL BEARING
WHEELS



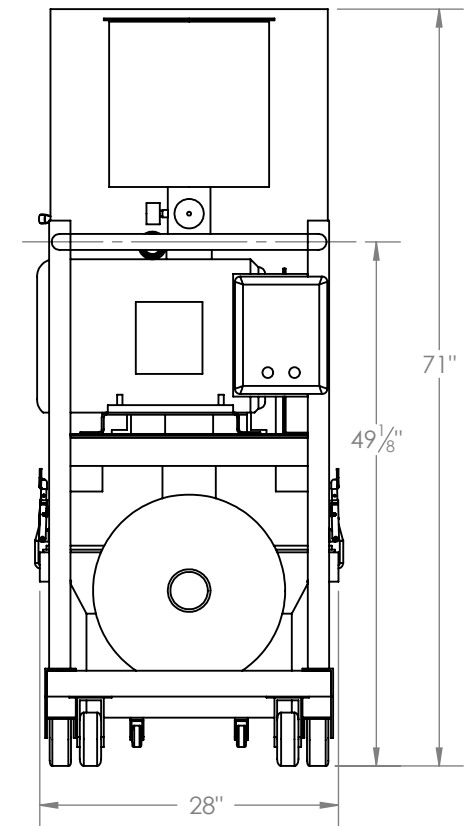
SPECIFICATIONS:
 25HP TEFC MOTOR (VOLTAGE TO SUIT)
 600 ICFM @ 14Hg
 PRIMARY FILTER AREA: 61.6 SQFT
 99.997% @ 0.4 MICRON EFFICIENT
 DIRT CAPACITY: 27.0 GAL
 NOISE: 90 dba
 WEIGHT: 1200LBS

NEMA 4
STARTER
PANEL

HEAVY DUTY
WELDED STEEL
FRAME

TUNED
SILENCER

5" SWIVEL CASTERS



No.	DATE	COMMENTS
0	SEPT 09	ISSUED FOR REVIEW

DuroVac MISSISSAUGA, ON
 Industrial Vacuums (888) 330-3365

DWG NO.	090929-01
BY: KS	DATE: SEPT 09

TITLE:	CONTINUOUS DUTY 25HP VACUUM
SCALE:1:18	DO NOT SCALE DRAWING
SHEET 1 OF 1	