

ITEM NO.	PART NUMBER	Down/QTY.
1	01000 GL2250 Baghouse	1
2	01124 Assembly Trailer	1
3	01135 Assembly Inline Filter to Blower & Actuator	1
4	01123 12in Compression Coupling	1
5	01150 Pipe - Cooling Silencer	1
6	01151 Pipe - Cooling Silencer	1
7	01154 10 in Compression Coupling	2
8	01101 Roots 721 DVJ Dry Blower	1
9	01112 Inline Filter Assembly	1
10	01103 Silencer	2
11	01170 Hoist Link Pin	2
12	01170 Hoist Link Pin	2
13	01170 Hoist Link Pin	2
14	01170 Hoist Link Pin	2
15	01168 Retaining Washer	2
16	01168 Retaining Washer	2
17	01168 Retaining Washer	2
18	01168 Retaining Washer	2
19	01140 Main Lift Arm	1
20	01140 Main Lift Arm	1
21	01142 Upper Lift Arm	2
22	01137 Boom Arm	2
23	01173 Clevis Pin	7
24	01138 Hydraulic Cylinder	2
25	01139 Hydraulic Ram	2
26	01174 Hitch Pin	2
27	01158 Hoist Strut A	2
28	01159 Hoist Strut B	2
29	01119 Fuel Tank	1
30	01165 COUPLING COVER	1
31	01161 Air Accumulator	1
32	01162 Lovejoy Oil Reservoir Block	1
33	01164 Lovejoy 1090 Grid Coupling	1
34	ES303545 100-291 EPU SKID-MTD	1

NOTES:

REV	DESCRIPTION	BY	DATE
0	RELEASE FOR REVIEW	R.M	09/08/08

ENGINEERING STAMP

UNLESS OTHERWISE SPECIFIED:

GEN'L TOLERANCE
 X: ±1/8"
 .X: ±1/16"
 .XX: ±1/32"
 .XXX: ±0.005"
 ROUND RADIUS: ±1/16"

MATERIAL: N/A
 FINISH: N/A
 DO NOT SCALE DRAWING

	NAME	DATE
DRAWN	R.M.	2008-08-01
CHECKED	L.Z.	2008-08-01
ENG APPR.		
MGR APPR.		

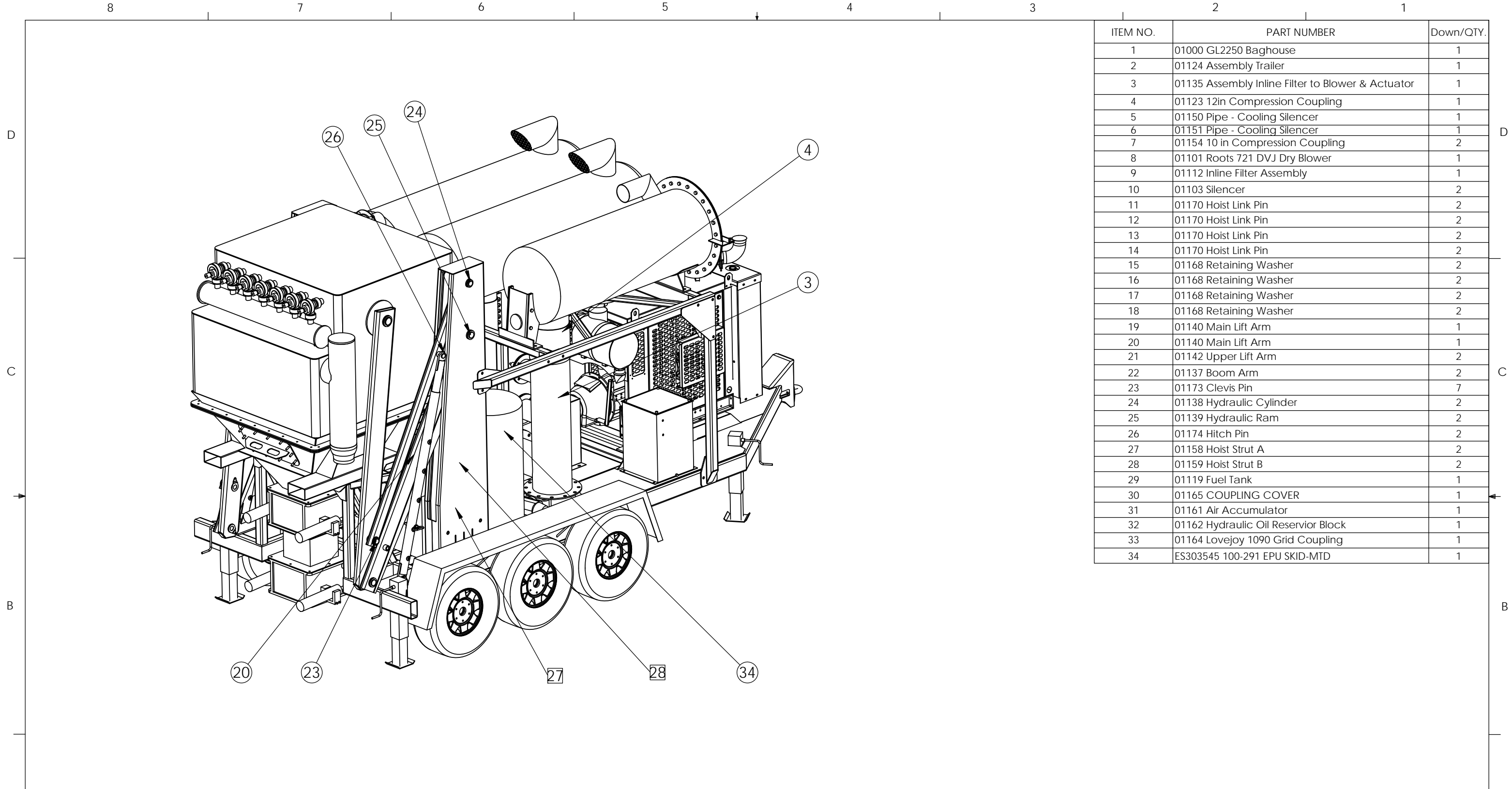
PROPRIETARY AND CONFIDENTIAL
 THE INFORMATION CONTAINED IN THIS DRAWING IS THE SOLE PROPERTY OF INERTIA ENGINEERING+DESIGN. ANY REPRODUCTION IN PART OR AS A WHOLE WITHOUT THE WRITTEN PERMISSION OF INERTIA ENGINEERING+DESIGN IS PROHIBITED.

Inertia Engineering+Design

TITLE:
**NORTHWIND AIR SYSTEMS
 MOBILE VACUUM TRAILER**

SIZE: **B** DWG. NO.: 00100 REV: **0**

SCALE: 1:10 WEIGHT: SHEET 1 OF 7



ITEM NO.	PART NUMBER	Down/QTY.
1	01000 GL2250 Baghouse	1
2	01124 Assembly Trailer	1
3	01135 Assembly Inline Filter to Blower & Actuator	1
4	01123 12in Compression Coupling	1
5	01150 Pipe - Cooling Silencer	1
6	01151 Pipe - Cooling Silencer	1
7	01154 10 in Compression Coupling	2
8	01101 Roots 721 DVJ Dry Blower	1
9	01112 Inline Filter Assembly	1
10	01103 Silencer	2
11	01170 Hoist Link Pin	2
12	01170 Hoist Link Pin	2
13	01170 Hoist Link Pin	2
14	01170 Hoist Link Pin	2
15	01168 Retaining Washer	2
16	01168 Retaining Washer	2
17	01168 Retaining Washer	2
18	01168 Retaining Washer	2
19	01140 Main Lift Arm	1
20	01140 Main Lift Arm	1
21	01142 Upper Lift Arm	2
22	01137 Boom Arm	2
23	01173 Clevis Pin	7
24	01138 Hydraulic Cylinder	2
25	01139 Hydraulic Ram	2
26	01174 Hitch Pin	2
27	01158 Hoist Strut A	2
28	01159 Hoist Strut B	2
29	01119 Fuel Tank	1
30	01165 COUPLING COVER	1
31	01161 Air Accumulator	1
32	01162 Hydraulic Oil Reservoir Block	1
33	01164 Lovejoy 1090 Grid Coupling	1
34	ES303545 100-291 EPU SKID-MTD	1

NOTES:

REV	DESCRIPTION	BY	DATE
0	RELEASE FOR REVIEW	R.M	09/08/08

ENGINEERING STAMP		UNLESS OTHERWISE SPECIFIED:	
		GEN'L TOLERANCE X: ±1/8" .X: ±1/16" .XX: ±1/32" .XXX: ±0.005" ROUND RADIUS: ±1/16"	
		MATERIAL N/A	
		FINISH N/A	
		DO NOT SCALE DRAWING	

NAME	DATE	Inertia Engineering+Design	
DRAWN R.M.	2008-08-01	TITLE: NORTHWIND AIR SYSTEMS MOBILE VACUUM TRAILER	
CHECKED L.Z.	2008-08-01	SIZE B	DWG. NO. 00100
ENG APPR.			REV 0
MGR APPR.		SCALE: 1:64	WEIGHT: SHEET 2 OF 7

A

A

D

D

C

C

B

B

8

7

6

5

4

3

2

1

8

7

6

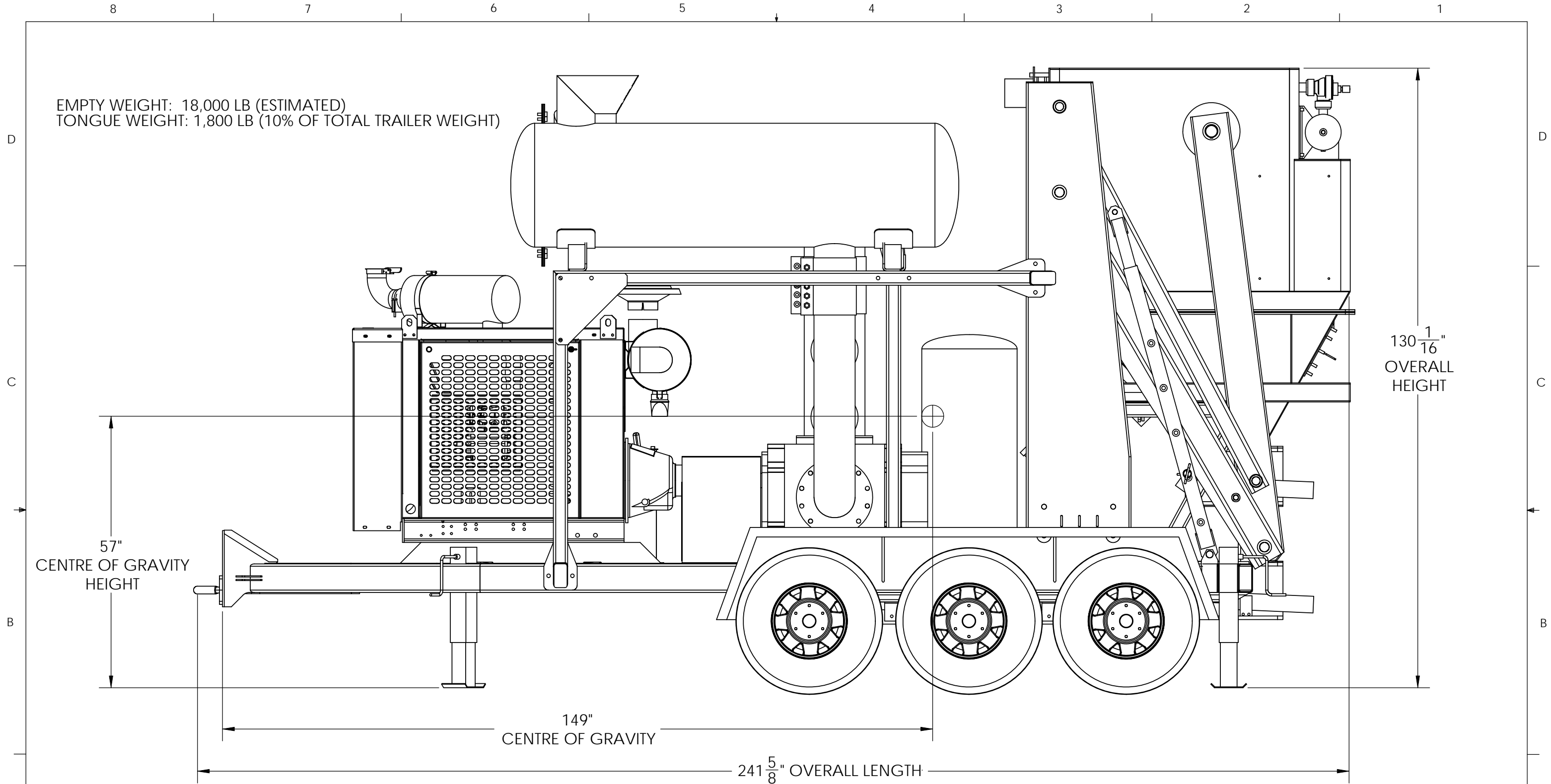
5

4

3

2

1



NOTES:
1. SEE PAGE 1 FOR GENERAL NOTE

ENGINEERING STAMP

UNLESS OTHERWISE SPECIFIED:
GEN'L TOLERANCE
X: ±1/8"
XX: ±1/16"
XXX: ±1/32"
XXX: ±0.005"
ROUND RADIUS: ±1/16"

MATERIAL
SEE NOTES ON PAGE 1

FINISH
N/A

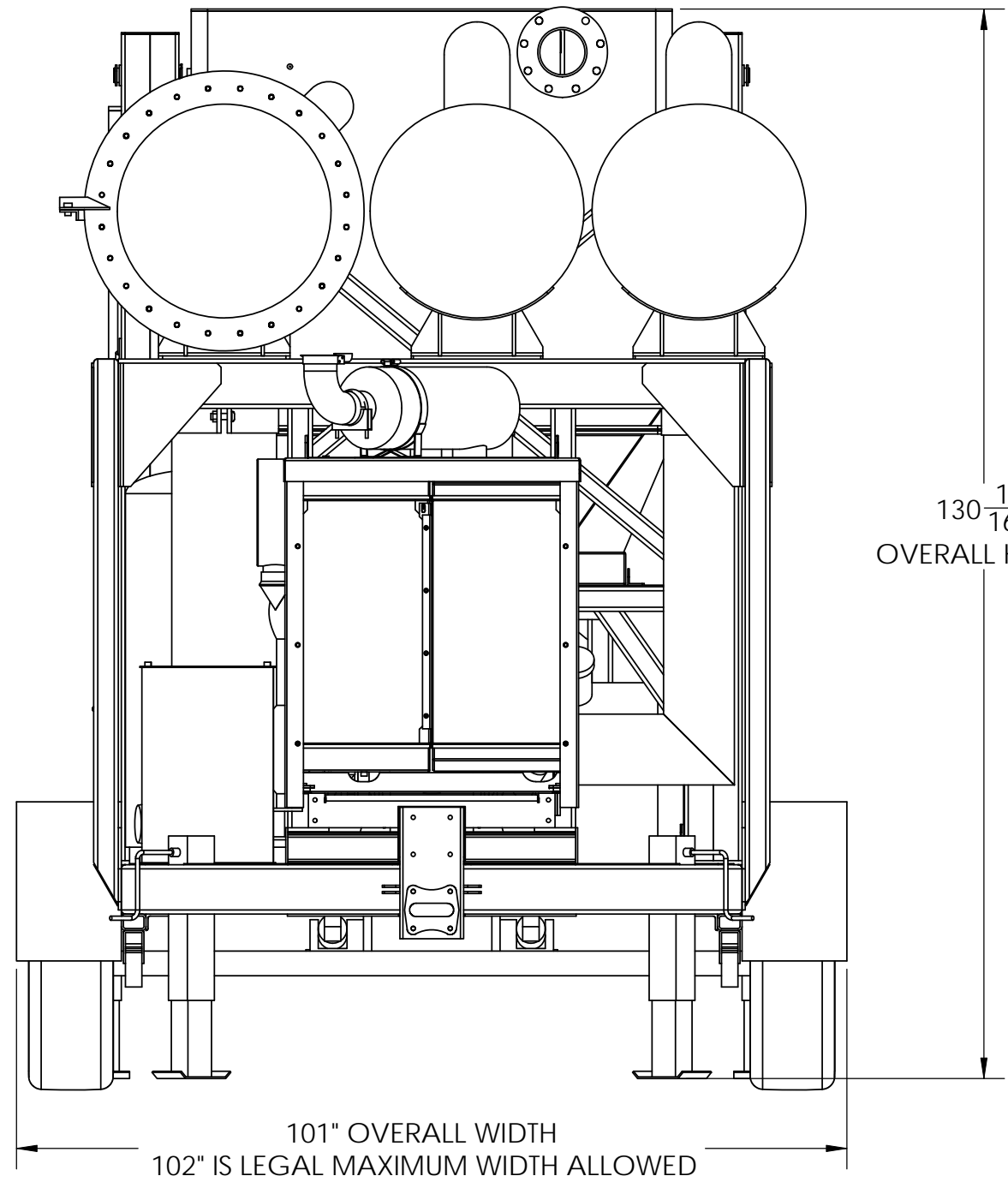
DO NOT SCALE DRAWING

	NAME	DATE
DRAWN	R.D	09/08/08
CHECKED	R.M	09/08/08
ENG APPR.		
MGR APPR.		

PROPRIETARY AND CONFIDENTIAL
THE INFORMATION CONTAINED IN THIS DRAWING IS THE SOLE PROPERTY OF INERTIA ENGINEERING+DESIGN. ANY REPRODUCTION IN PART OR AS A WHOLE WITHOUT THE WRITTEN PERMISSION OF INERTIA ENGINEERING+DESIGN IS PROHIBITED.

Inertia Engineering+Design		
TITLE: NORTHWIND AIR SYSTEMS MOBILE VACUUM TRAILER		
SIZE B	DWG. NO. 01108	REV 0
SCALE: 1:10		WEIGHT:
SHEET 3 OF 7		

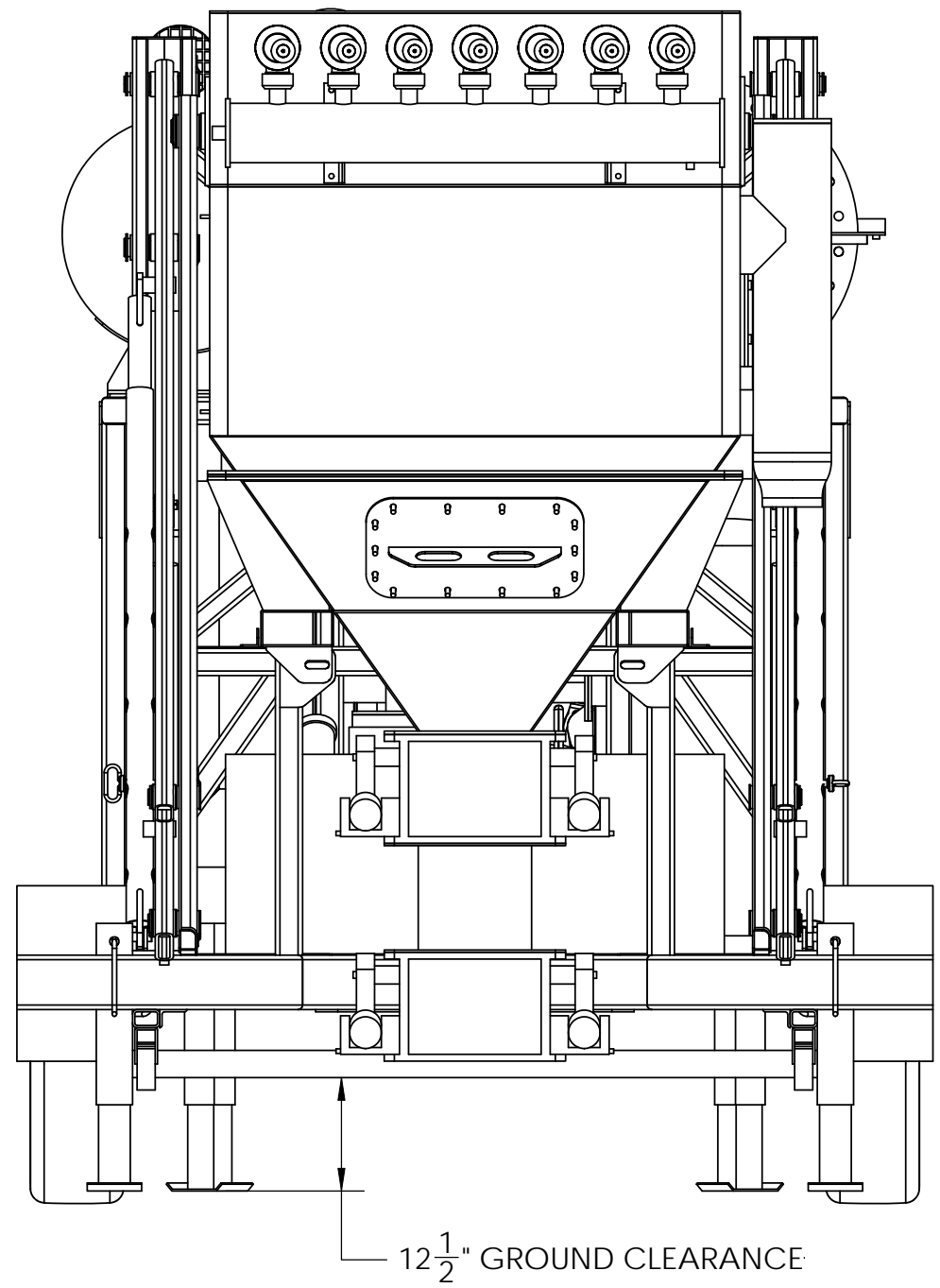
REV	DESCRIPTION	BY	DATE
0	RELEASE FOR REVIEW	R.M	09/08/08



101" OVERALL WIDTH
102" IS LEGAL MAXIMUM WIDTH ALLOWED

130 ¹/₁₆"
OVERALL HEIGHT

FRONT VIEW



12 ¹/₂" GROUND CLEARANCE

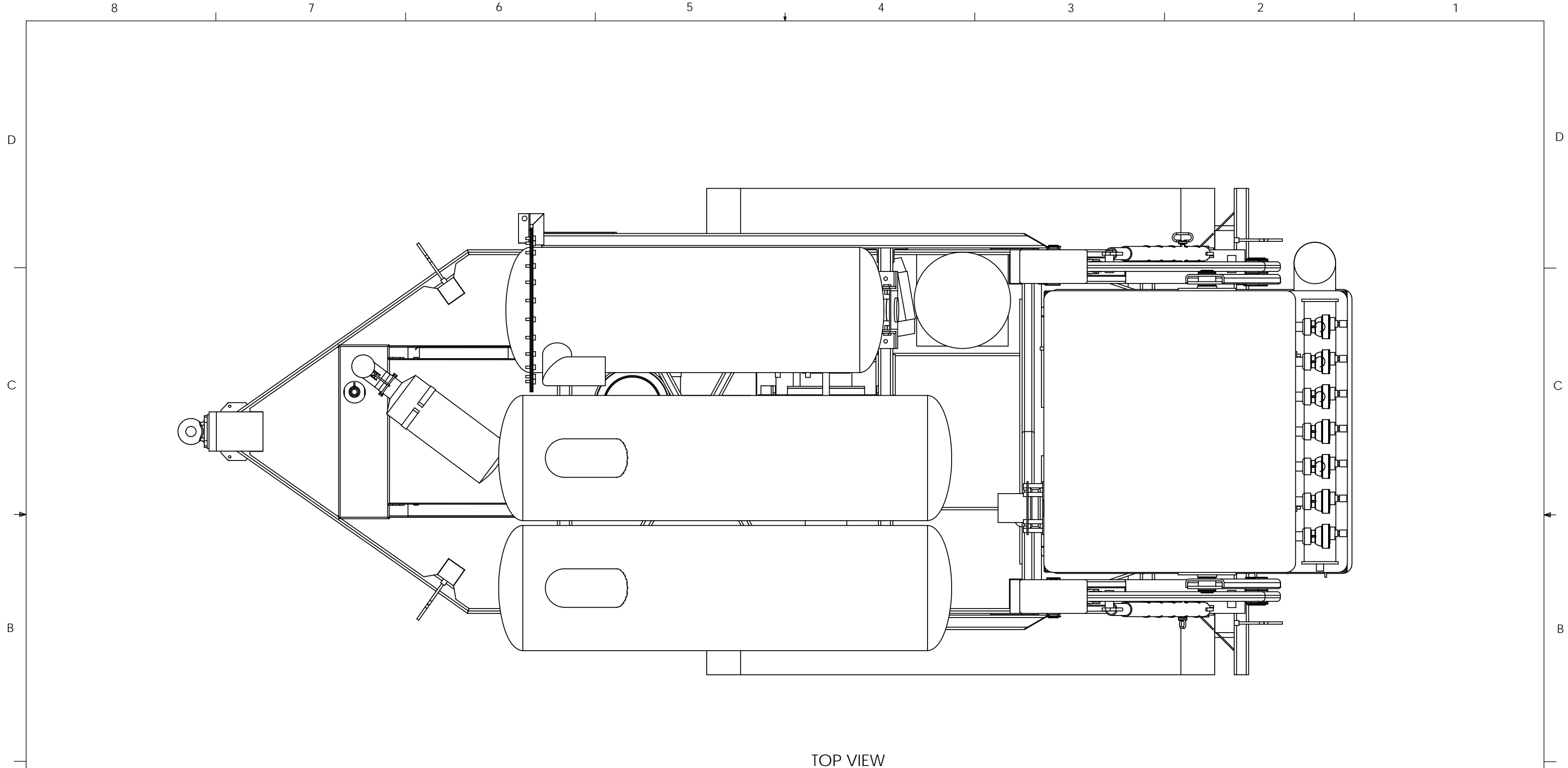
REAR VIEW

NOTES:

1. SEE PAGE 1 FOR GENERAL NOTE

REV	DESCRIPTION	BY	DATE
0	RELEASE FOR REVIEW	R.M	09/08/08

ENGINEERING STAMP		UNLESS OTHERWISE SPECIFIED:		NAME	DATE
		GEN'L TOLERANCE		R.D	09/08/08
		X: ±1/8"		R.M	09/08/08
		X: ±1/16"			
		XX: ±1/32"			
XXX: ±0.005"					
ROUND RADIUS: ±1/16"					
MATERIAL	SEE NOTES ON PAGE 1	PROPRIETARY AND CONFIDENTIAL THE INFORMATION CONTAINED IN THIS DRAWING IS THE SOLE PROPERTY OF INERTIA ENGINEERING+DESIGN. ANY REPRODUCTION IN PART OR AS A WHOLE WITHOUT THE WRITTEN PERMISSION OF INERTIA ENGINEERING+DESIGN IS PROHIBITED.			
FINISH	N/A				
DO NOT SCALE DRAWING					
				Inertia Engineering+Design	
				TITLE:	
				NORTHWIND AIR SYSTEMS MOBILE VACUUM TRAILER	
SIZE	DWG. NO.	REV			
B	01108	0			
SCALE: 1:10		WEIGHT:	SHEET 4 OF 7		



TOP VIEW

NOTES:
 1. SEE PAGE 1 FOR GENERAL NOTE

REV	DESCRIPTION	BY	DATE
0	RELEASE FOR REVIEW	R.M	09/08/08

ENGINEERING STAMP

UNLESS OTHERWISE SPECIFIED:
 GEN'L TOLERANCE
 X: ±1/8"
 .X: ±1/16"
 .XX: ±1/32"
 .XXX: ±0.005"
 ROUND RADIUS: ±1/16"

MATERIAL
 SEE NOTES ON PAGE 1

FINISH
 N/A

DO NOT SCALE DRAWING

	NAME	DATE
DRAWN	R.D	09/08/08
CHECKED	R.M	09/08/08
ENG APPR.		
MGR APPR.		

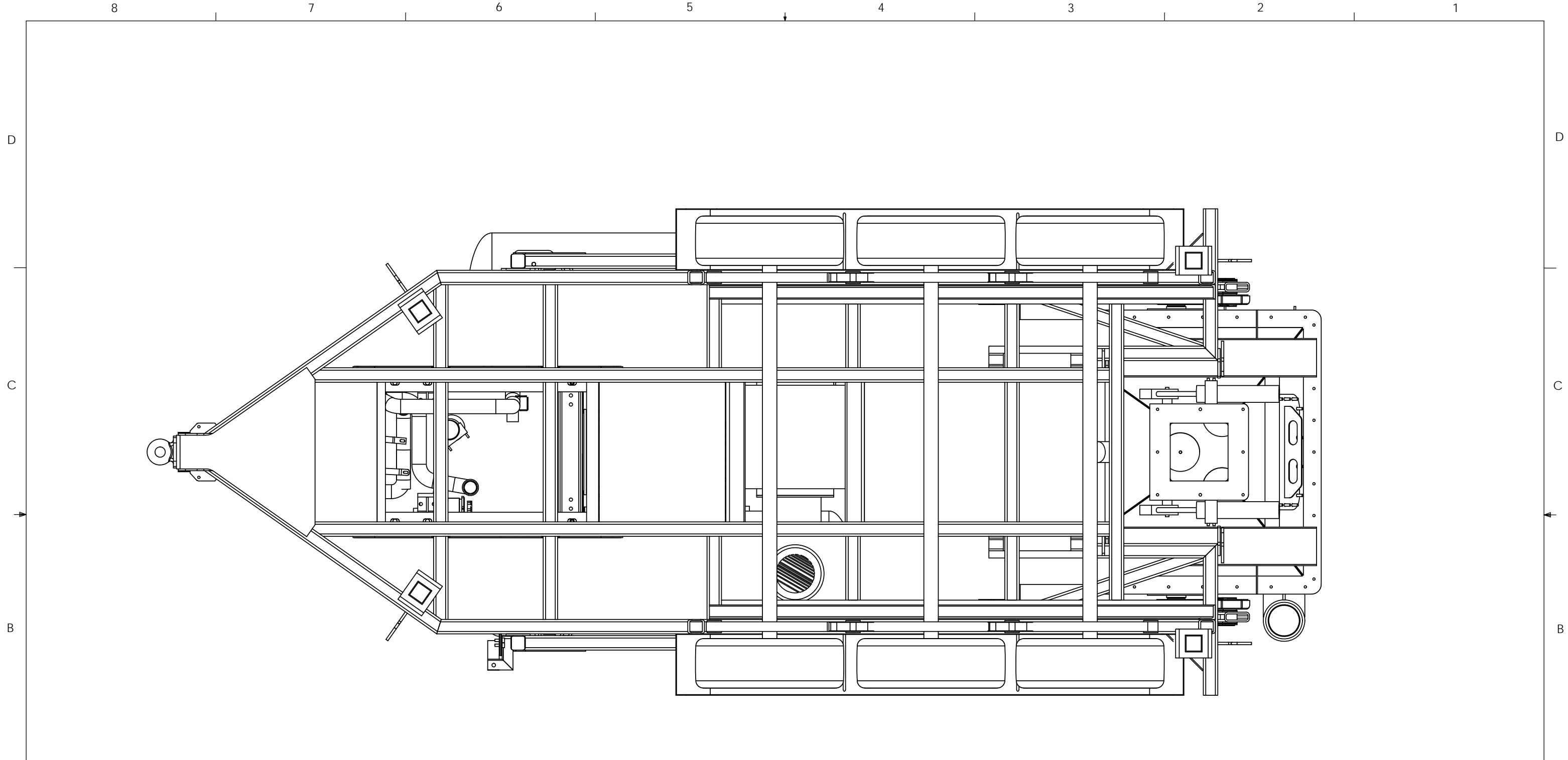
PROPRIETARY AND CONFIDENTIAL
 THE INFORMATION CONTAINED IN THIS DRAWING IS THE SOLE PROPERTY OF INERTIA ENGINEERING+DESIGN. ANY REPRODUCTION IN PART OR AS A WHOLE WITHOUT THE WRITTEN PERMISSION OF INERTIA ENGINEERING+DESIGN IS PROHIBITED.

Inertia Engineering+Design

TITLE:
TRAILER CHASSIS

SIZE B	DWG. NO. 01108	REV 0
------------------	-------------------	-----------------

SCALE: 1:10 WEIGHT: SHEET 5 OF 7



BOTTOM VIEW

NOTES:
 1. SEE PAGE 1 FOR GENERAL NOTE

ENGINEERING STAMP

UNLESS OTHERWISE SPECIFIED:
 GEN'L TOLERANCE
 X: $\pm 1/8"$
 .X: $\pm 1/16"$
 .XX: $\pm 1/32"$
 .XXX: $\pm 0.005"$
 ROUND RADIUS: $\pm 1/16"$

MATERIAL
 SEE NOTES ON PAGE 1

FINISH
 N/A

DO NOT SCALE DRAWING

	NAME	DATE
DRAWN	R.D	09/08/08
CHECKED	R.M	09/08/08
ENG APPR.		
MGR APPR.		

PROPRIETARY AND CONFIDENTIAL
 THE INFORMATION CONTAINED IN THIS DRAWING IS THE SOLE PROPERTY OF INERTIA ENGINEERING+DESIGN. ANY REPRODUCTION IN PART OR AS A WHOLE WITHOUT THE WRITTEN PERMISSION OF INERTIA ENGINEERING+DESIGN IS PROHIBITED.

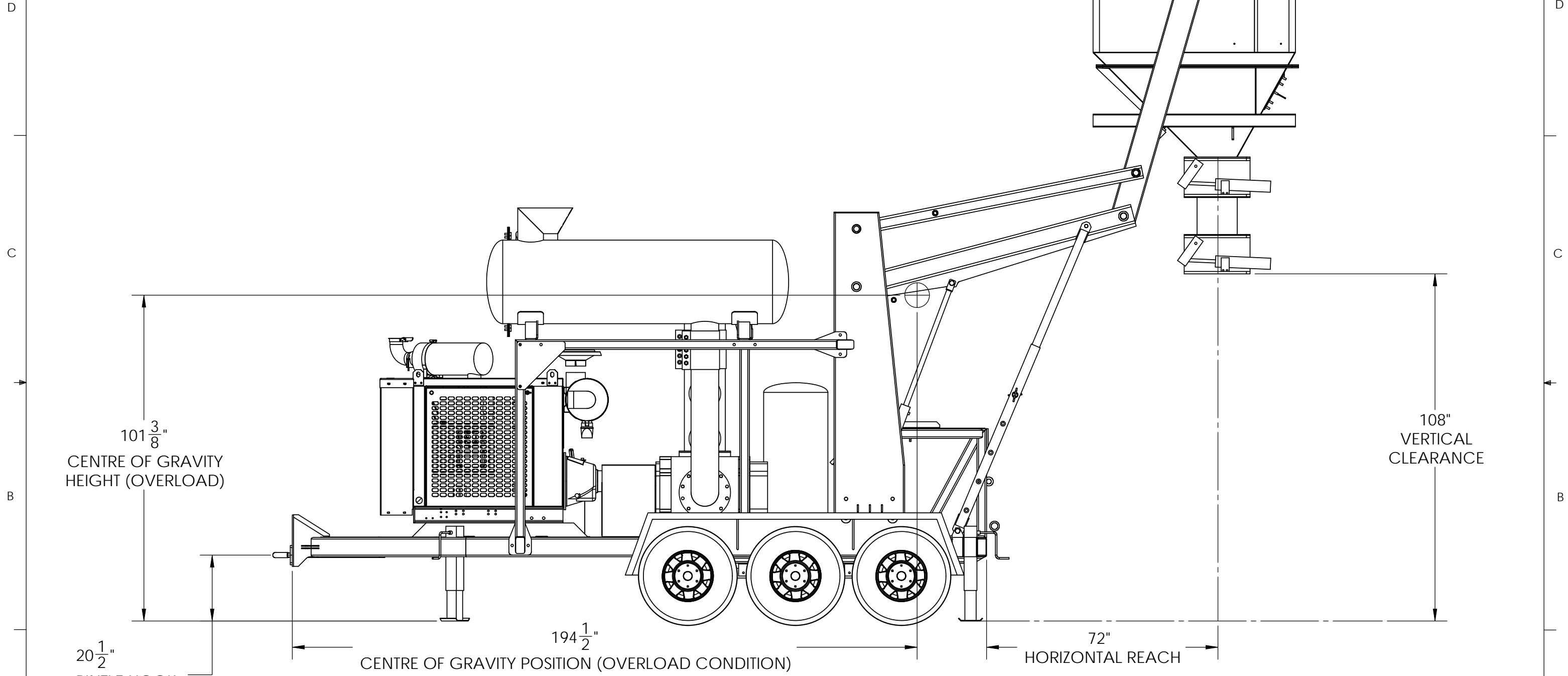
Inertia Engineering+Design

TITLE:
**NORTHWIND AIR SYSTEMS
 MOBILE VACUUM TRAILER**

SIZE B	DWG. NO. 01108	REV 0
SCALE: 1:10		WEIGHT:
		SHEET 6 OF 7

REV	DESCRIPTION	BY	DATE
0	RELEASE FOR REVIEW	R.M	09/08/08

BAGHOUSE PAYLOAD TYPICAL = 550 LB
 BAGHOUSE PAYLOAD OVERLOAD CAPABILITY = 4,375 LB



NOTES:
 1. SEE PAGE 1 FOR GENERAL NOTE

ENGINEERING STAMP

UNLESS OTHERWISE SPECIFIED:
 GEN'L TOLERANCE
 X: ±1/8"
 Y: ±1/16"
 XX: ±1/32"
 XXX: ±0.005"
 ROUND RADIUS: ±1/16"

MATERIAL
 SEE NOTES ON PAGE 1

FINISH
 N/A

DO NOT SCALE DRAWING

	NAME	DATE
DRAWN	R.D	09/08/08
CHECKED	R.M	09/08/08
ENG APPR.		
MGR APPR.		

PROPRIETARY AND CONFIDENTIAL
 THE INFORMATION CONTAINED IN THIS DRAWING IS THE SOLE PROPERTY OF INERTIA ENGINEERING+DESIGN. ANY REPRODUCTION IN PART OR AS A WHOLE WITHOUT THE WRITTEN PERMISSION OF INERTIA ENGINEERING+DESIGN IS PROHIBITED.

Inertia Engineering+Design		
TITLE: NORTHWIND AIR SYSTEMS MOBILE VACUUM TRAILER		
SIZE B	DWG. NO. 01108	REV 0
SCALE: 1:64 WEIGHT:		SHEET 7 OF 7

REV	DESCRIPTION	BY	DATE
0	RELEASE FOR REVIEW	R.M	09/08/08